

Type "MG-VS"

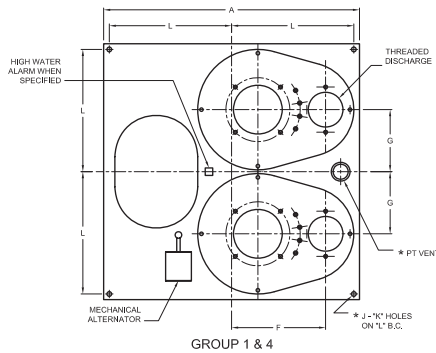
with Square Duplex Covers & Manhole
Bulletin 710



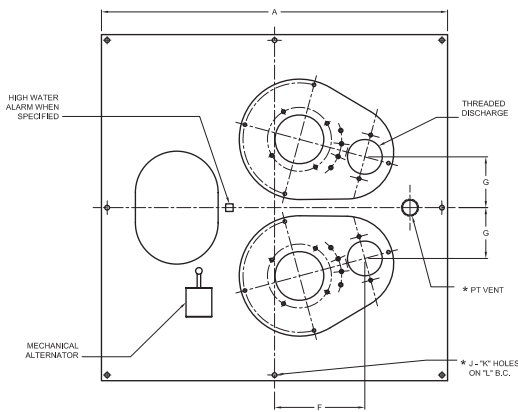
www.cranepumps.com

Column Sump Pumps

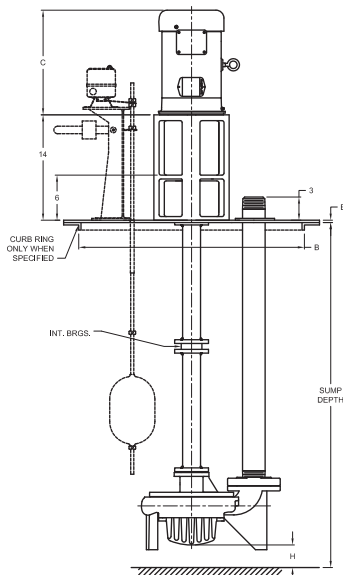
PUMP NO.: FOR: CERT. BY: _____ DATE: _____	PUMP: TDH: GPM: SIZE & TYPE:	MOTOR: HP: RPM: PHASE: ENCLOSURE:	VOLTS: HZ: FRAME:
--	---	--	--



GROUP 1 & 4
* VENT & COVER DRILLING FOR VAPOR TIGHT CONSTRUCTION ONLY OR WHEN SPECIFIED



GROUP 2



Pumps										
Group	Size & Type	Shaft Group	Dis.	F	G	H	Vent Size	Min. Sump Dia.	Min. Cover Dia.	
1	228MG-VS	1	1½	12⅝	8¼	4½	2½	30	34	
	228MG-VS	1	2	12⅝	8¼	4½	2½			
	236MG-VS	1	1½	12⅝	8¼	4½	2½			
	236MG-VS	1	2	12⅝	8¼	4½	2½			
	328MG-VS	1	3	12⅝	8¼	3⅞	2½			
2	336MG-VS	1	3	12⅝	8¼	3¾	2½	42	40	
	428MG-VS	1	4	13⅜	6¾	3⅞	4			
4	438MG-VS	2	4	13⅜	6¾	4⅝	4	44	52	
	635MG-VS	2	6	15	11½	3¾	4			

Motors					
Single Phase		Three Phase		Motor Frame	C
1750		1750			
½		½		56	12
¾		¾		56	12
1		1		143T	15
		1½		145T	15
1½		2		145T	15
2		3		182T	18½
3		5		184T	18½
5		7½		213T	22
		10		215T	22
		15		254T	25
		20		256T	25
		25		284T	27
		30		286T	27

Square Basin Covers						
B Sq. Sump	A Sq. Cover	E Cover Thick.	Cover Drilling When Specified			
			J	K	L	
30	34	⅜	4	⅝	16¼	
36	40	½	4	⅝	19¼	
42	46	½	8	⅝	22¼	
48	52	½	8	⅝	25¼	
60	66	½	8	⅝	32	
72	78	⅝	8	¾	38	

Standard Sump Depth								
Sump Depth	No. Int. Brgs.		Sump Depth	No. Int. Brgs.		Sump Depth	No. Int. Brgs.	
	Shaft Group 1	Shaft Group 2		Shaft Group 1	Shaft Group 2		Shaft Group 1	Shaft Group 2
2'-6"	0	0	6'-0"	1	0	13'-0"	2	2
3'-0"	0	0	7'-0"	1	1	14'-0"	3	2
3'-6"	0	0	8'-0"	1	1	15'-0"	3	3
4'-0"	0	0	9'-0"	1	1	16'-0"	3	3
4'-6"	0	0	10'-0"	2	1	18'-0"	4	3
5'-0"	0	0	11'-0"	2	2	20'-0"	4	3
5'-6"	1	0	12'-0"	2	2			

SECTION 710
PAGE 12
DATE 10/18



A Crane Co. Company

PUMPS & SYSTEMS

USA: (937) 778-8947 • Canada: (905) 457-6223 • International: (937) 615-3598